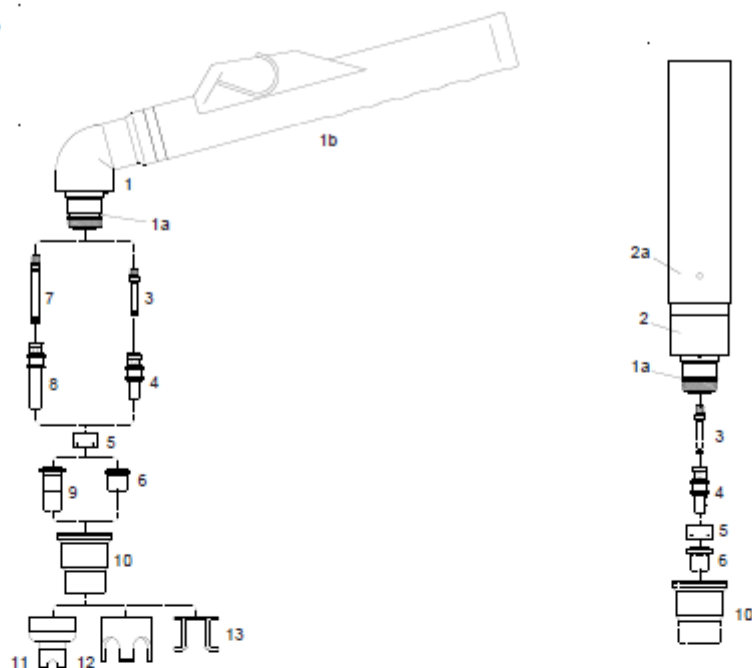


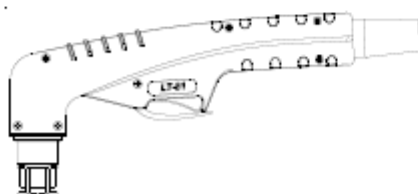
TRAFIMET® A80-P80®



No.	Ref.	Code	Description	No.	Ref.	Code	Description
	PA170	06820	Hand torch 6m 3/8 G - 1/4 G	6	PD105-11	51172	Tip ϕ 1.1
	PA1402	06821	Hand torch 6m cent. connector		PD105-12	51172.12	Tip ϕ 1.2
	PA180	06840	Machine torch 6m 3/8 G	7	FH0361	06801.43	Extended diffuser
	PA181	06841	Machine torch 6m cent. connector	8	PR115	52581/5	Extended electrode
1	PF119	06800	Hand torch head	9	PD106-10	51171.10	Extended tip ϕ 1.0
1a	EA123	07300.60	O-Ring		PD106-12	51173	Extended tip ϕ 1.2
1b	04280/C		Handgrip with microswitch	10	PC115	60384	Retaining cap
2	PF120	06811	Machine torch head	11	CV201	51976	Spacer for contact cutting
2a	TP61	06813	Machine handle	12	CV33	60378	Crown spacer
3	FH0360	06801.42	Diffusor	13	CV28	51902	Spacer spring
4	PR109	52580/5	Electrode		PH130/132	06880	Cable 6m 3/8G - 1/4G
5	PE107	60029	Swirl ring				Hand/Machine torch
6	PD105-10	51170	Tip ϕ 1.0		PF107	06800/KIT	Kit for replacing "A60"

LT-81®

Suitable for ERGOCUT® A81®
TRAFIMET® A80®



Consumables:
see A80-A81®

Ref.	Code	Description	Ref.	Code	Description
PA170/1400/1404	06820LT	Hand torch, 6m, 3/8G connection	EA0123	07300.60	O-Ring
PA1402	06821LT	Hand torch, 6m, central connector		09706	Handgrip with switch
PF0140	06802/KIT	Torch head with handle	BX0020	07301.20	Switch
	06802	Torch head			